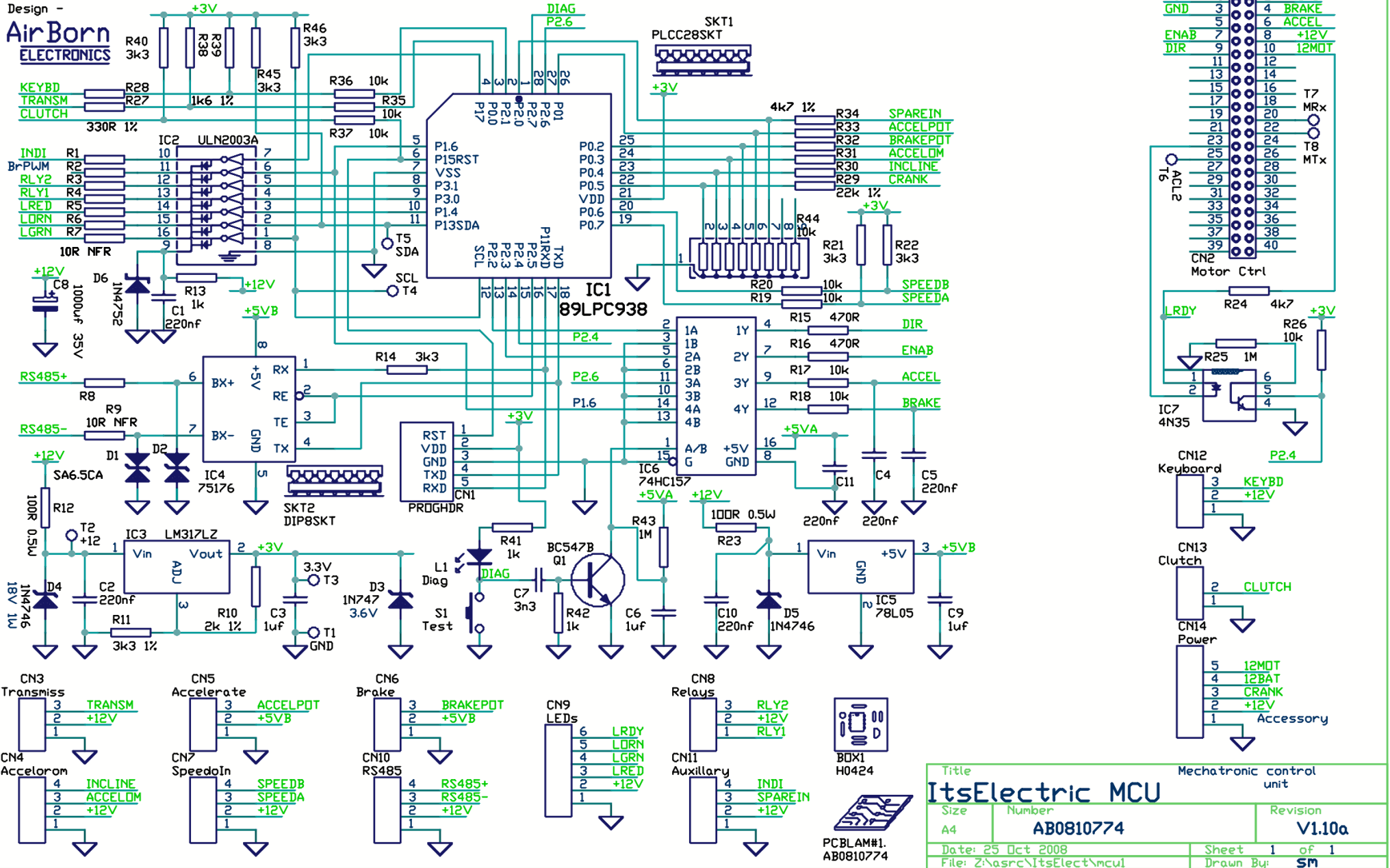


Design -

AirBorn
ELECTRONICS



Title		Mechatronic control unit	
ItsElectric MCU			
Size	Number	Revision	
A4	AB0810774	V1.10a	
Date: 25 Oct 2008		Sheet 1 of 1	
File: Z:\src\ItsElect\mcu1		Drawn By: SM	

Design -
Air Born RS485
ELECTRONICS

PCB#
AB0810157

CN8 Relays

+12V CRANK BAT 12MOT Gnd +12V SpdA SpdB Gnd Clutch Gnd +5VB Brake Gnd +5VB Accel

Diag

IC1 89LPC938

IC2 M'SIA-800T 858 ULN2003A

IC3 LM317LZ

IC4 PROGHDR SN75176BP

Q1 BC547B

IC6 TL74HC157N B79740PS Hm9822 D

IC7 4N35

Motor Ctrl
CN2