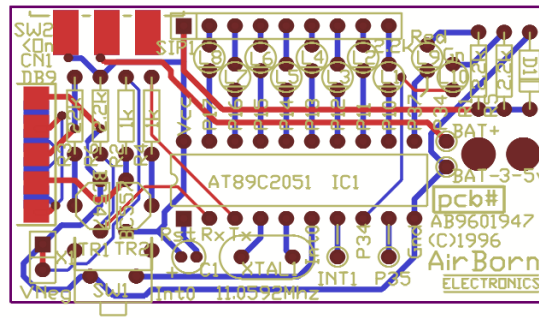


(C)1996  
**Air Born**  
 ELECTRONICS



Title			AT89C2051 Proto PCB		
			(Tiny Version)		
Size	Number		Revision		
A4	AB9601947		V2.00b		
Date: 6 Jan 1996			Sheet 1 of 1		
File: Z:\asrc\pg2051\ex2051_4			Drawn By: sm		

ex2051\_4 pcb overlay



ex2051\_4 pcb photo

